

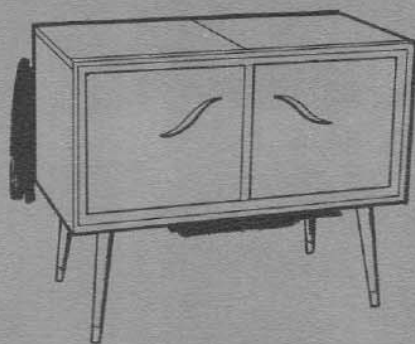


**Best Buy
in Hi-Fi!**

Electro-Voice

Contempo

**Equipment Console
with Matched Components!**



Contempo . . . A Console to Compliment Your Good Taste

Carefully built by master craftsmen, with E-V's exclusive Acousticore material and top-grade hardwoods, beautifully finished, the Contempo has two lift lids, adjustable changer-turntable mounting board, ample space for all equipment. The most beautiful, functional housing for your matched tuner amplifier combination and associated components. It's wired for easy connection and properly ventilated. Available in mahogany, blonde limed oak or walnut.

Long, low and contemporary, the beautiful new Contempo console is yours to enjoy when you buy first-quality E-V components! You pay only for the components! Choose the system you want:

System 858
 Model 3303 FM/AM Tuner . . . \$279.50
 Model A20 Amplifier 85.00
 Contempo Equipment Console . . 120.00
 Installation and Wiring 12.00
TOTAL 496.50

E-V introductory offer to acquaint the music lover with **MATCHED COMPONENTS** (Changer or player of your choice is in addition)

YOU PAY ONLY \$364.50!
 Includes Cabinet

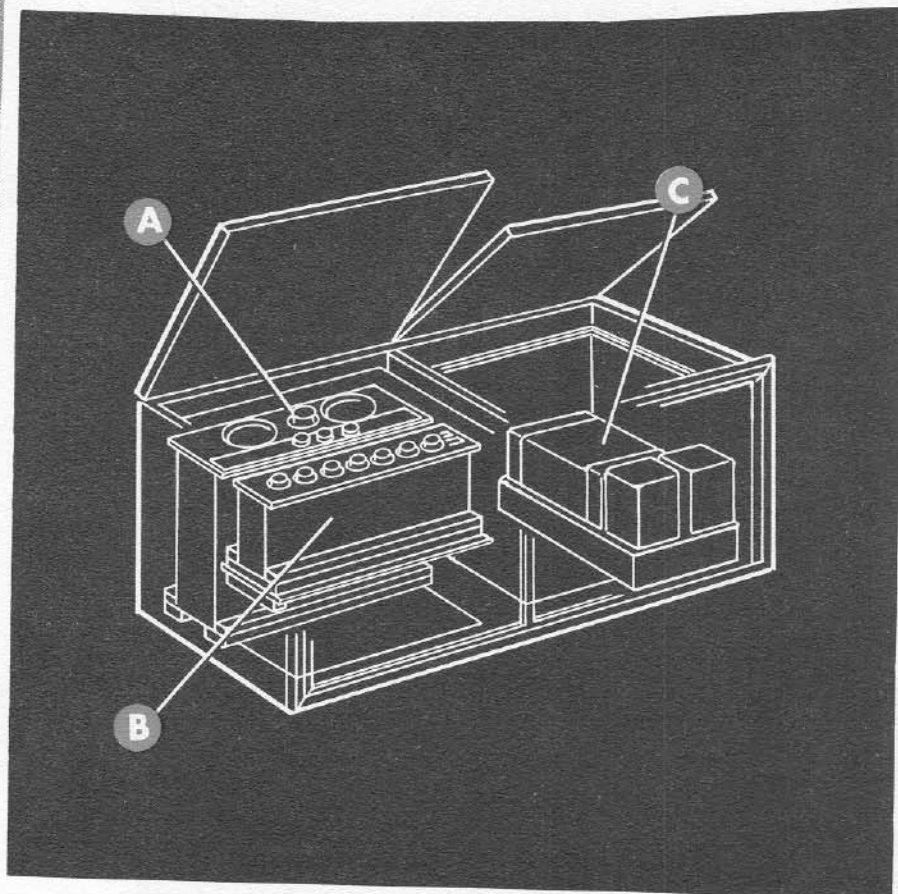
System 859
 Model 3304 FM/AM Tuner . . . \$239.50
 Model A30 Amplifier 108.00
 Model PC1 Preamp with Controls . 99.50
 Contempo Equipment Console . . 120.00
 Installation and Wiring 12.00
TOTAL \$579.00

E-V introductory offer
YOU PAY ONLY \$447!
 Includes Cabinet

Electro-Voice

ELECTRO-VOICE, INC • BUCHANAN, MICHIGAN

Your E-V
High Fidelity System ...
Quality Components
in a Quality Cabinet



A. Model 3304 FM/AM tuner mounted in Contempo equipment console. It is designed for use with separate preamps and amplifiers having a complete set of controls. Model 3304 controls include AFC-Squelch, Master Tuning Knob (for both FM and AM), Balance Control (for tuning stereophonic broadcasts) and Level Controls. Finished in mocha and dark brown with brushed-brass trim. 15" x 14 $\frac{3}{4}$ " x 8 $\frac{1}{4}$ ". Net Weight: 27 Lbs. \$239.50.

B. Model PC1 preamplifier and music control center. Has separate 10-position playing selector controls for tuner, tape, TV, auxiliary, and 6-position phono record compensation, plus volume, loudness, presence, bass, treble controls. Frequency response: 20-20,000 cps \pm 1 db. Dark brown and brushed brass with mocha panels. 4 $\frac{1}{8}$ " x 15" x 8 $\frac{1}{4}$ ". Net Weight: 9 Lbs. \$99.50.

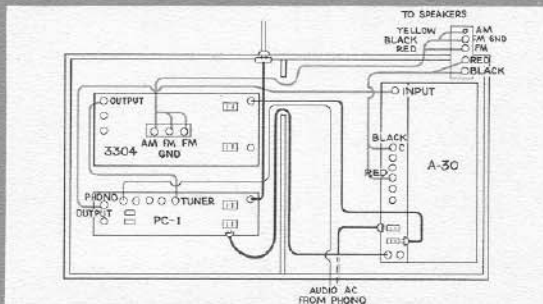
C. Model A30 Amplifier (lift changer mounting board to install in Contempo cabinet). 30 watts program, 60 watts peak. Response: 20-75,000 cps, \pm .5 db. Has on-off switch, input level control and damping control. 7" x 13 $\frac{3}{4}$ " x 9". Net Weight: 21 lbs. \$108.

Electro-Voice[®]

ELECTRO-VOICE, INC • BUCHANAN, MICHIGAN

Model 3303 FM/AM Tuner. Has complete controls - 3-position loudness, volume, continuously variable AFC-Squelch, Playing Selector (tuner, 6-position phono equalizer, tape, TV and auxiliary), Treble, Bass-Off, 3-position Presence controls. Master Tuning Knob controls both AM and FM channels, locks band, locks station. Twin signal-strength meters and Magic Eye tuning aid for easy, exact tuning. Mocha and dark brown, brushed brass trim. 15" x 15 $\frac{3}{4}$ " x 8 $\frac{1}{4}$ ". Net Weight: 28 Lbs. \$279.50.

Model A20 Amplifier. 20 watts program, 40 watts peak. Response: 20-60,000 cps, \pm .5 db. Has On-Off Switch, Input Level Control and Damping Switch. 6 $\frac{3}{4}$ " x 12 $\frac{1}{4}$ " x 8 $\frac{1}{4}$ ". Net Weight: 18 $\frac{1}{2}$ Lbs. \$85.



Red wires shown in simple wiring diagram are installed. These include FM/AM antenna, signal lead from preamp to amplifier is stapled in place and speaker lead from amplifier (color coded) to terminal strip.

Hurry! This offer necessarily is a limited one. It's today's BEST BUY in Hi-Fi. It is proof again that there is no finer choice than Electro-Voice.

SPECIFICATIONS AND PREPARATION
FOR USE.

THE CONTEMPO

Models 858 and 859 Equipment Sets

<u>Contents</u>	<u>Page</u>
General Information & Construction	1
Dimensional Chart	3
Unpacking and Set-Up Instructions	4
Mounting & Connections of Model 858	5
Mounting & Connections of Model 859	8

E-V's LATEST IN HIGH STYLE AND FUNCTIONAL DESIGN

Electro-Voice brings you the perfect harmony of quiet distinction and complete functionality in the CONTEMPO Console. In either Mahogany, Lined Oak or Walnut, it is designed to complement E-V contemporary loudspeaker enclosures. The separate compartments offer ample space for record changer or turntable, amplifier and tuner. The use of a tape deck may be substituted for the turntable if desired.

Other features include:

ADJUSTABLE MOUNTING BOARD

The adjustable mounting board is an exclusive feature of the Contempo. With the removable motor board, an adjustment up to 3" higher than that used for changers enables operation of arm set-down and motor switches at the ideal height. The procedure for raising the mounting board is explained in the INSTRUCTIONS FOR SET-UP section.

VENTILATION

Carefully placed draft openings on cabinet bottom and back minimize the ambient heat rise under any condition of use. Rigid heat tests have been carefully executed using various types of amplifiers, tuners and record players, to insure complete safety to electronic equipment.

ADAPTABILITY

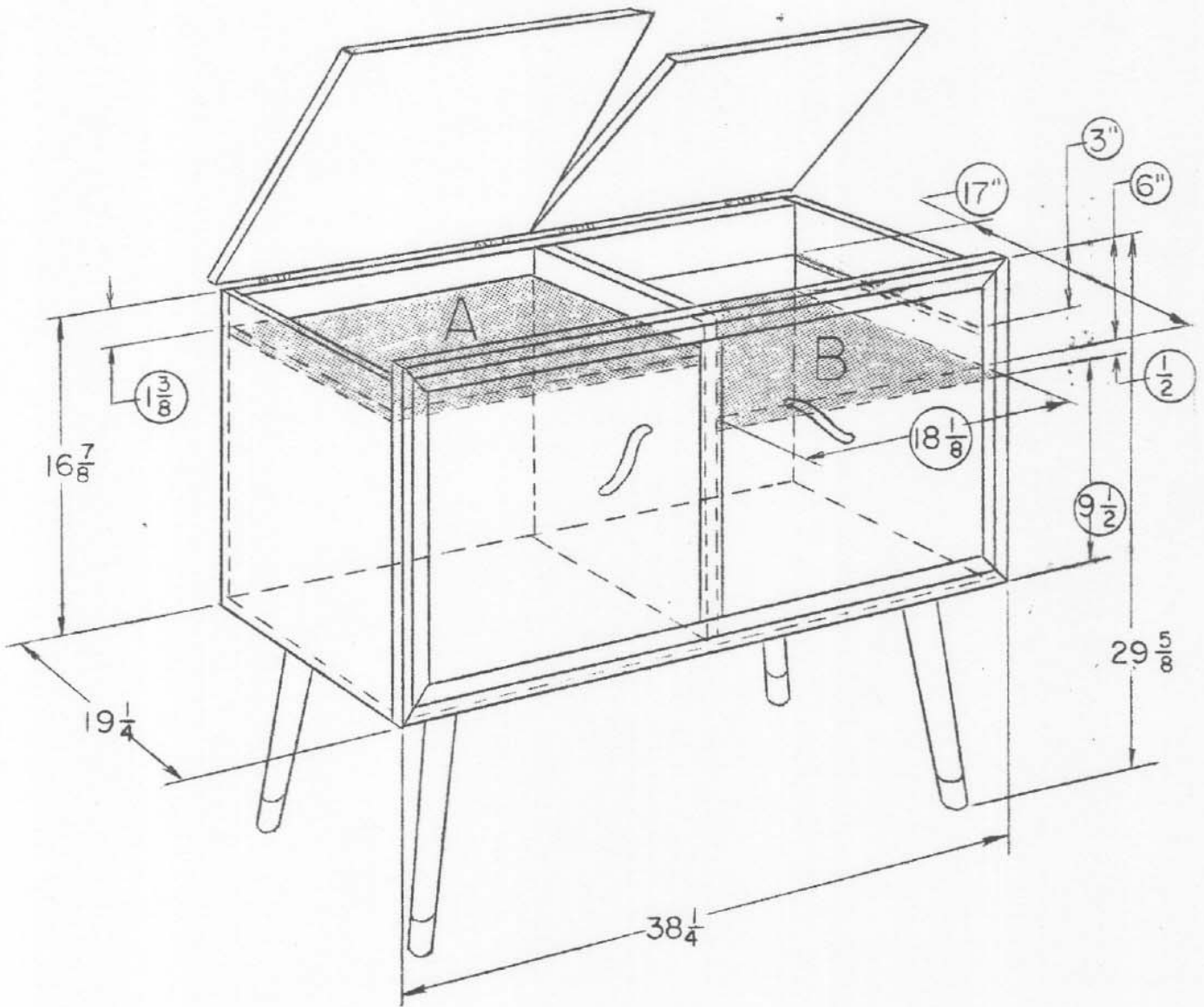
Mounting areas available to accommodate all E-V tuners and amplifiers in any combination, for monaural or stereo use, are defined on page 16. The Contempo Console is adapted to the employment of practically all alternative makes of tuners, amplifiers, record changers and tone arms. Full clearances of 6" above the 1/2" motor board, and 9-1/2" below, are provided for all popular changers. Sufficient clearance is provided for all 12" tone arms. The large overhang of the 16" tone arms may be accommodated by cutting away a small segment of the right rear section.

FINISH & QUALITY

Electro-Voice is proud of the high quality, lasting finish which is afforded the top grade hardwoods used in constructing the CONTEMPO. All panels are cut and fitted to decimal tolerances rather than usual fractional tolerances. These parts are electronically moisture-tested to prevent warping and cracking of the veneers. An inner structural material, ACOUSTICORE, is used in all E-V cabinets, giving additional protection from warping without internal stresses. All cabinets are assembled by hydraulically operated holding fixtures using high pressures to compress each joint and tenon for precision fit. Careful sanding, staining and sealing, followed by immediate drying in humidity-controlled ovens are basic steps used to achieve the perfect sub-finish. Additional sanding and hard lacquering is accomplished with another trip through the ovens for drying to prepare the completed furniture for rubbing, waxing and polishing to a superior satin gloss, determined scientifically by a Martin-Speers gloss meter. Thus, insurance is afforded against the disagreeable glass-like finishes which disclose a cloudy, high halation appearance exposing the smallest dust particles and fingermarks.

NOTE:

1. -- Immediately upon unpacking check carefully the condition of the cabinet for shipping damage. Damage should be reported to your Electro-Voice High Fidelity Dealer.
2. -- Check carefully all instructions prior to equipment installation.



NOTE:

1. CIRCLED NUMBERS SPECIFY INTERNAL DIMENSIONS.
2. INTERNAL DIMENSIONS FOR COMPARTMENT "A" (AMPLIFIER, TUNER) AND "B" (RECORD PLAYER) ARE IDENTICAL.

INSTRUCTIONS FOR UNPACKING AND SET-UP

You will receive your CONTEMPO in a carefully packed, well padded carton.

STEP 1. -- Invert carton so that the end marked Bottom is facing up.

STEP 2. -- Open carton and remove padding from bottom of console.

STEP 3. -- Reach thru opening in bottom, and remove legs which are fastened inside console.

STEP 4. -- Screw legs into cabinet.

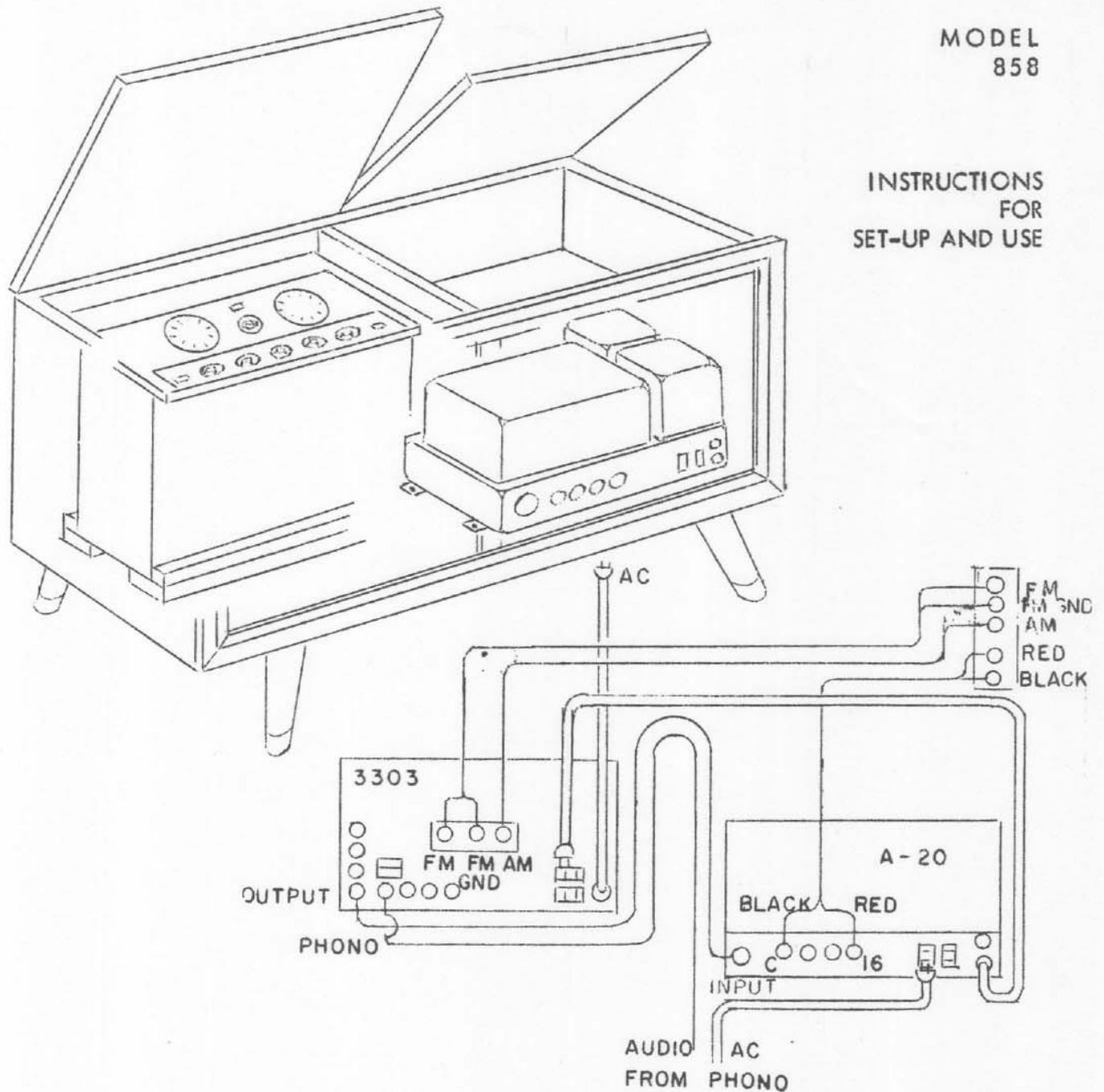
STEP 5. -- Carefully turn the console over with the carton still intact.

STEP 6. -- Remove the carton and excess padding by sliding up.

Your new CONTEMPO is now ready to receive its components.

MODEL
858

INSTRUCTIONS
FOR
SET-UP AND USE



THE CONTEMPO

--- FITTED FOR MODEL 3303 FM/AM TUNER, AND A20 AMPLIFIER.

INSTALLATION

STEP 1: Open the top of the cabinet. The Electro-Voice 3303 AM/FM tuner mounts in the 7-3/4" x 14-5/8" slot on the left. Before installing the tuner, remove the four feet from the tuner with a screw driver. Lower

the tuner into place. Remove the cabinet back and seat the bottom of the tuner squarely on the supporting angle blocks.

- STEP 2: Remove the blank record player mounting board through the rear of the cabinet. Cut and drill panel to accommodate your record player. If a record changer is to be installed, replace mounting board in the lower slot of the changer compartment. If it is a manual turntable, slide the mounting board into the upper slot of the compartment.
- STEP 3: The A20 amplifier mounts laterally across the ventilating cutout in the cabinet bottom, beneath the record player, with its control knobs facing the cabinet back. Give the steel mounting straps a slight bend in the middle. Hook them into the slots of the bottom of the A20, hooks pointing out. Position the amplifier over the pre-drilled divider holes -- screw down with wood screws provided. Turn Power Switch to ON position.

WIRING

- STEP 4: The phono lead from the record player plugs into input marked PHONO on the bottom of the 3303 AM/FM tuner.
- STEP 5: Plug the AC cord from the record player into the socket on the A20 amplifier marked SWITCHED.
- STEP 6: The OUTPUT of the 3303 tuner is carried to the A20 amplifier by a pre-assembled, shielded cable packed with the tuner. Plug one end into INPUT on amplifier.
- STEP 7: A Terminal strip has been mounted on cabinet back at the factory. The speaker output leads for the amplifier already are connected to this terminal strip. Connect the red lead to the 16 ohm post and the black lead to the common (C) post on the A20 amplifier.
- STEP 8: Insert the AC cord leading from the A20 amplifier into the receptacle on the 3303 tuner marked SWITCHED.
- STEP 9: The white-coated plastic lead from the terminal strip is the AM antenna lead; connect to the AM post on the bottom of the 3303 tuner.
- STEP 10: The twin-lead FM antenna cable from the terminal strip attaches to the two FM posts on the 3303 tuner. It is important that the FM Ground lead (Black) be attached to the middle FM post on the antenna strip.
- STEP 11: Run the AC cord from the 3303 tuner out the ventilating cutout in cabinet bottom.

- STEP 12: Replace the cabinet back. See the specification sheet accompanying the 3303 tuner for instructions on installation of antennas.
- STEP 13: Connect the leads from the speaker system to the posts on the terminal strip on the cabinet back marked SP.
- STEP 14: Plug the AC cord from the 3303 tuner into a convenient wall socket.

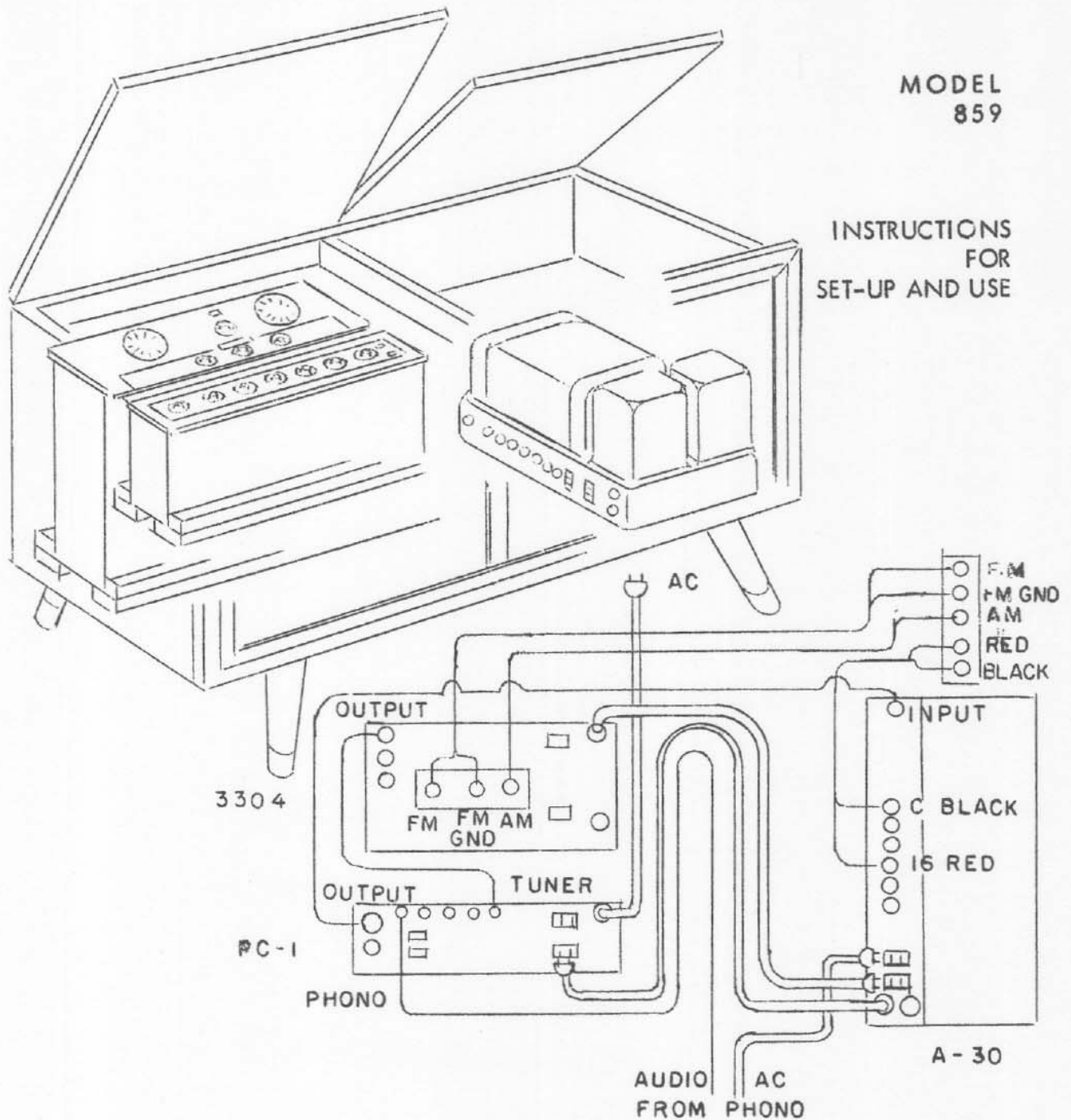
NOTE: Do not attempt to operate on other than 105-125 volt, 60 cycle AC.

THE CONTEMPO EQUIPMENT SET MODEL 858 IS NOW READY FOR OPERATION.

GOOD LISTENING!

MODEL
859

INSTRUCTIONS
FOR
SET-UP AND USE



THE CONTEMPO

--- FITTED FOR MODEL 3304 FM/AM TUNER, A30 AMPLIFIER AND
PC1 PREAMPLIFIER

INSTALLATION

STEP 1: Open the top of the cabinet. The Electro-Voice PC-1 preamplifier fits into the smaller, 3-13/16" x 14-5/8" slot on the left. Remove the feet from the preamplifier with a screwdriver and lower it into

place. Remove the cabinet back and seat the bottom of the PC-1 squarely on the supporting angle blocks.

- STEP 2:** Install the 3304 AM/FM tuner in the same manner.
- STEP 3:** Remove the blank record player mounting board through the rear of the cabinet. Cut and drill panel to accommodate your record player. If a record changer is installed, replace mounting board in the lower slot of the changer compartment. If it is a manual turntable, slide the mounting board into the upper slot of the compartment.
- STEP 4:** The A30 amplifier mounts front-to-back across the ventilating cutout in the cabinet bottom, beneath the record player, with its control knobs facing the side of the cabinet. Give the steel mounting straps a slight bend in the middle. Hook them into the slots in the bottom of the A30 with hooks pointing out. Position the amplifier over the pre-drilled holes; screw down with wood screws provided. Turn Power Switch to ON position.

WIRING

- STEP 5:** The phono lead from the record player plugs into the input marked PHONIC on the bottom of the PC-1 preamplifier.
- STEP 6:** Put the AC cord from the record player into the socket on the A30 amplifier marked SWITCHED.
- STEP 7:** The cable packed with the PC-1 preamplifier has pin plugs in each end; plug one end into the OUTPUT of the PC-1 and the other end into the INPUT of the A30 amplifier.
- STEP 8:** The 3304 tuner is accompanied with a similar cable. Plug one end into the OUTPUT of the 3304 tuner and the other end into the TUNER input of the PC-1 Preamplifier.
- STEP 9:** The AC cord from the A30 plugs into the socket on the PC-1 preamplifier marked SWITCHED.
- STEP 10:** The AC cord from the 3304 tuner plugs into the socket on the A30 amplifier marked HOT.
- STEP 11:** A terminal strip has been mounted on the cabinet back at the factory. The output leads for the speaker already are connected to this terminal strip. Connect the red lead to the 16 ohm post and the black lead to the common (C) post on the amplifier.

- STEP 12: The white coated lead from the terminal strip is the AM antenna lead; connect it to the AM post on the bottom of the 3304 tuner.
- STEP 13: The twin-lead FM antenna cable from the terminal strip attaches to the two FM posts on the 3304 tuner. It is important that the FM ground lead (black) be attached to the middle FM post on the antenna strip.
- STEP 14: Run the AC cord from the PC-1 preamplifier out the ventilating cutout in the cabinet bottom.
- STEP 15: Replace the cabinet back. See the specification sheet accompanying the 3304 tuner for instructions on the installation of antennas.
- STEP 16: Connect the leads from the speaker system to the posts on the terminal strip on the cabinet back marked SP.
- STEP 17: Plug the AC cord into a convenient wall socket.

NOTE: Do not attempt to operate on other than 105-125 volt, 60 cycle AC.

THE CONTEMPO EQUIPMENT SET MODEL 859 IS NOW
READY FOR OPERATION.

GOOD LISTENING!